



5480 - Sixth Street S.W.
Cedar Rapids, IA • 52404
319.364.9181



VISIT OUR WEBSITE:
www.mestekmachinery.com



FREE CATALOG REQUEST



ELECTRONIC CATALOG



The FIRST Premier Partner Program Member
to Join this Elite Group

© COPYRIGHT 2016 | ALL RIGHTS RESERVED BY MESTEK MACHINERY

MESTEK MACHINERY | YEAR AFTER YEAR IMPROVING DUCT FABRICATION PRODUCTIVITY FOR YOU | IOWA PRECISION COIL LINES | SPRING 2016



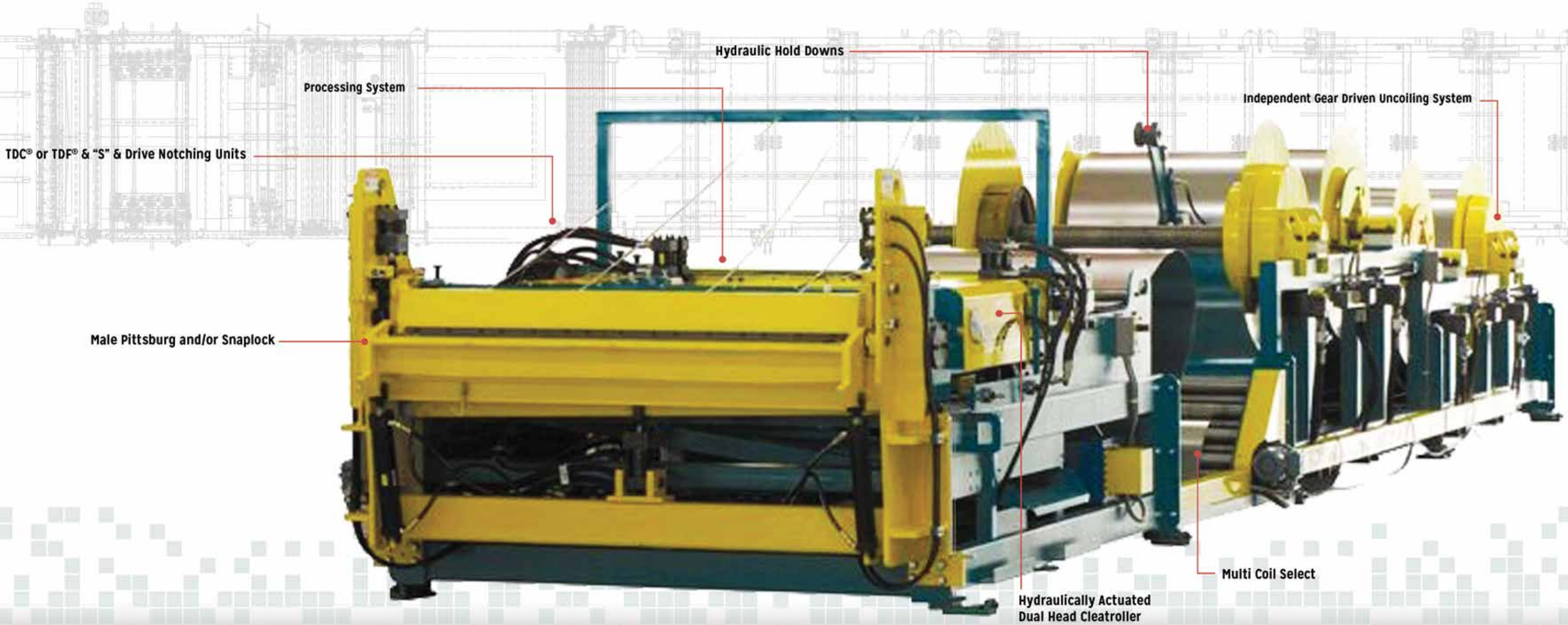
Coil Lines

Iowa Precision Industries, the leader in custom designed and manufactured automated coil processing systems, has the experience and proven know-how to develop systems meeting the specific goals of customers, worldwide.



Pro-Ductomatic® Front End Coil Line

Every Pro-Ductomatic® Front-End Coil Line System has been designed to maximize your return on investment by delivering years of reliable production.



Processing System

TDC® or TDF® & "S" & Drive Notching Units

Hydraulic Hold Downs

Independent Gear Driven Uncoiling System

Male Pittsburg and/or Snaplock

Hydraulically Actuated Dual Head Cleatroller

Multi Coil Select

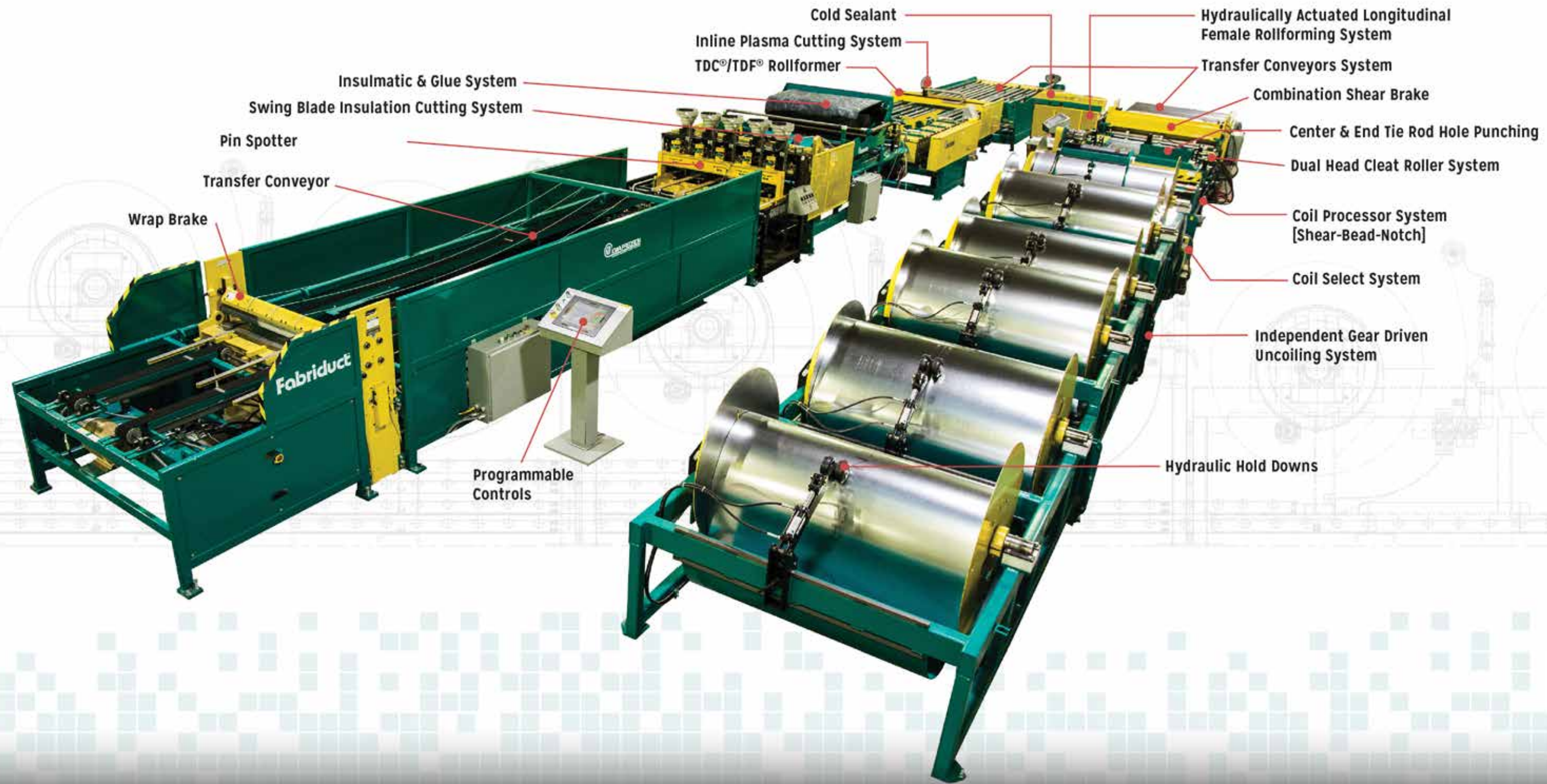
Scan this QR Code to use the Pro-Ductomatic® ROI Calculator



We always design in the capability to make this system a complete Automated Duct Line

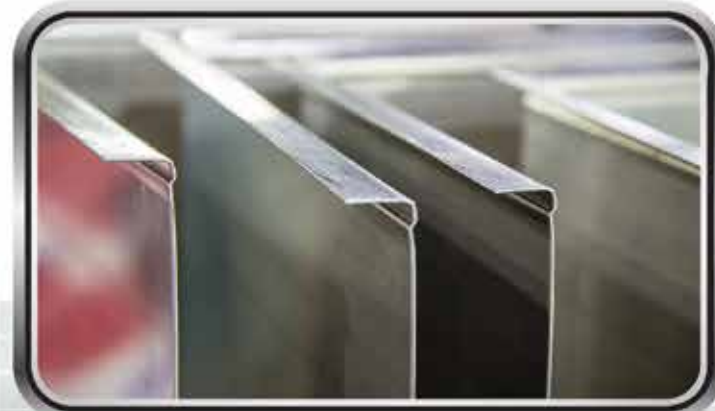
Pro-Fabriduct® Full Coil Line

Truly the most Advanced Complete Coil Line produced in the industry today. Leverages footprint, speed and production rates along with tolerances NO other HVAC coil line can match!

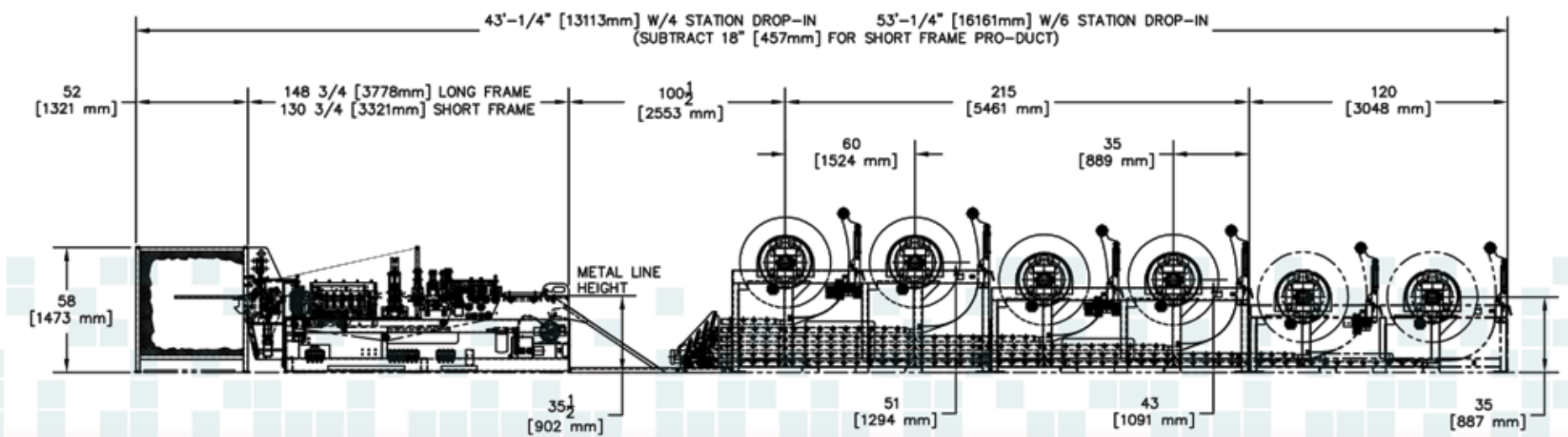
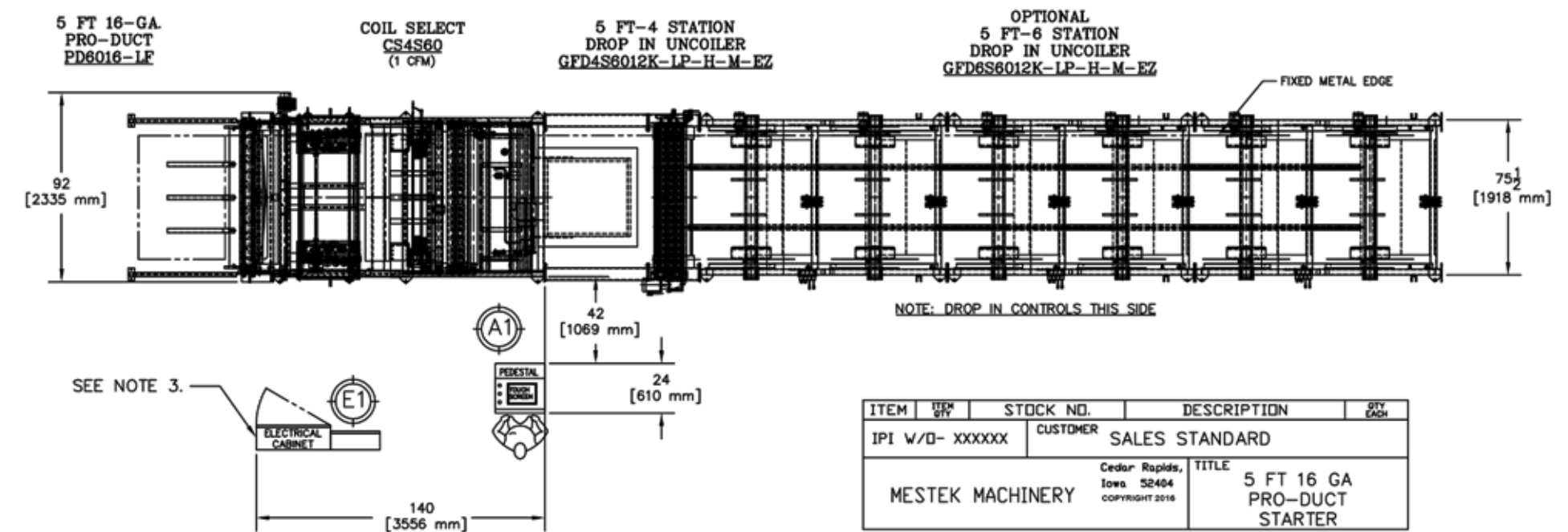
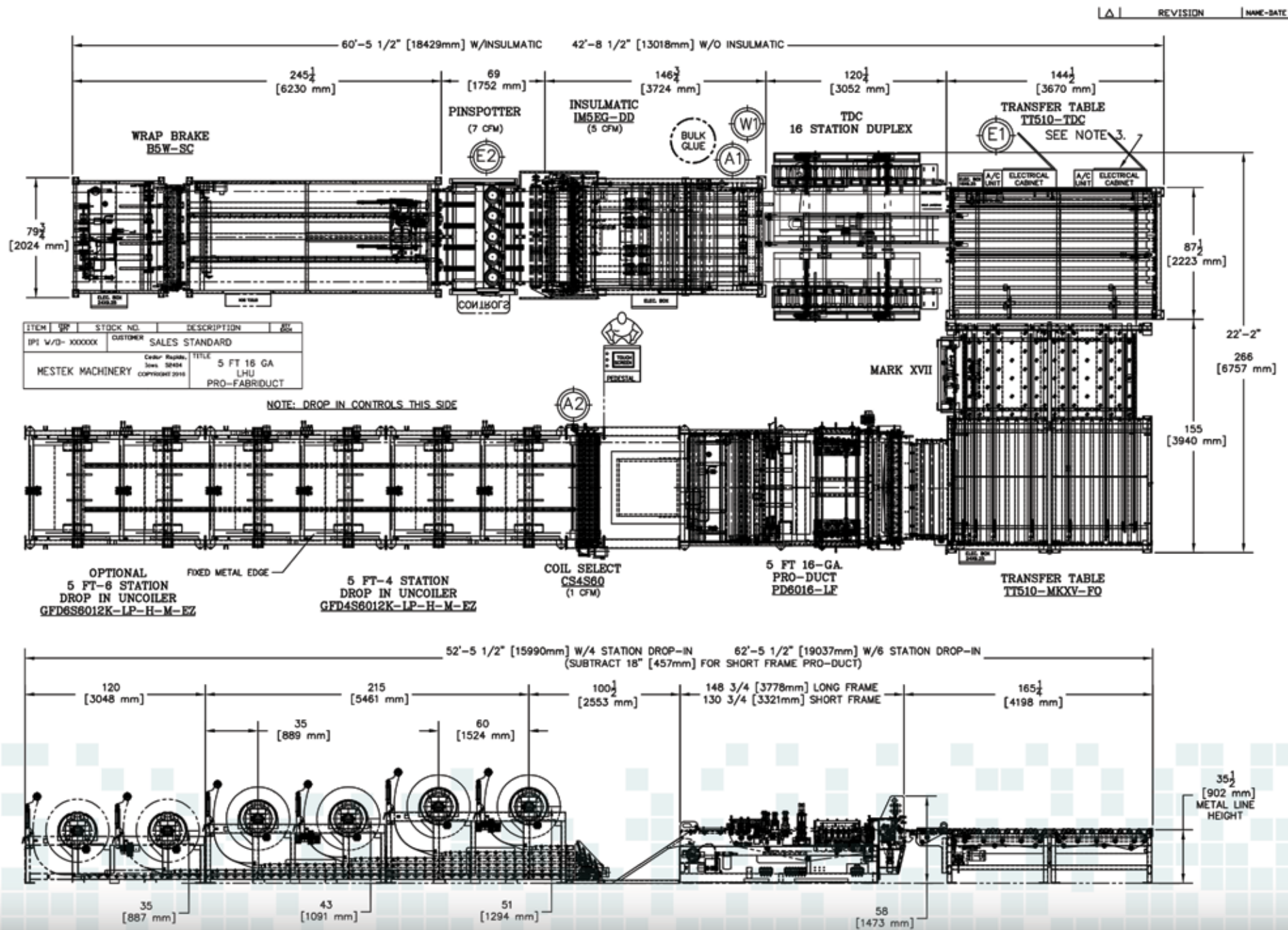


Scan this QR Code
to use the Pro-Fabriduct®
ROI Calculator

The most economical footprint in the world and the fastest feed rate in the industry!



Most economical footprint in the world and fastest feed rate in the industry!



Layout in either "U" (shown) or "Z" arrangement

Fully Expandable to a complete Automated Duct Line

Our Coil Lines...

Why they're better than the competition

- Construction of equipment is highly engineered to eliminate clutter and decrease opportunities for failure
- Very quiet system with low-profile features and benefits
- Precision manufacturing eases assembly of precision components, especially fittings
- Automation ensures consistency in size, shape of duct
- Delivers consistency and accuracy of seams and joints
- Reduces leaks, creates uniform seal
- Software is written, produced and serviced from over 30 years of experienced IPI programmers
- Industrial controller is the most rugged in the industry
- IPI has over 15 service technicians along with local technicians



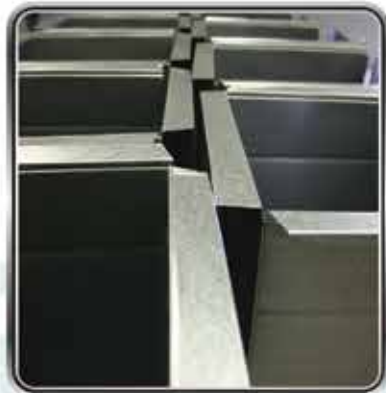
Company Info

Mestek Machinery



We have been, and intend to remain, the market leader in HVAC sheet metal equipment and solutions for duct shops and fabricators. Our many long-term relationships with sheet metal contractors and our huge installed base are very valuable to us, a resource for our marketplace, and a testament to our reliability and industry focus. We operate our businesses with a

long-term outlook and we're not going anywhere but forward. We're only human, so our people and our systems are not perfect and given the hundreds of thousands of interactions and tens of thousands of pieces of equipment, we may miss the mark from time to time, but we constantly evaluate our people, our systems, our tools and our customer service attitudes to deliver satisfaction. Please give us the chance to help you maintain and repair your Lockformer, Engel, Iowa Precision and Lion duct shop equipment with genuine factory designed, manufactured and tested repair parts. You'll be glad that you did!



Since 1938, Mestek has helped shops like yours get the job done