

CPO 275 Series

STANDARD EQUIPMENT & FEATURES

- Double self-centering vise assures burr-free cuts
- Miter capabilities 45° left to 45° right
- Miter locking device: quick, accurate setting-stops at 45° left, 90°, and 45° right
- Capable of slotting
- Two cutting speeds
- Hardened and ground worm and wheel gear box
- Worm wheel of top quality bronze
- Chip drawer
- Seven-gallon coolant tank with pump
- One 10" diameter (250 mm) HSS blade
- One blade wrench
- One gallon concentrated coolant
- 230 or 460 volt/3-ph electric (must specify voltage)
- Three-year warranty
- Made in the USA

MAXIMUM CAPACITIES (WITH A 275 MM/10-3/4" BLADE)

Tubing	90 Degree	45 Degree
Round	3-3/8"	2"
Square	3" x 3"	2" x 2"
Rectangle	3" x 2-3/8"	3" x 2"
Solid	90 Degree	45 Degree
Round	1-1/2"	1"
Square	1-1/2" x 1-1/2"	1" x 1"



COLD SAWS

CPO 275 PKPD

SEMI-AUTOMATIC SAW

- Air-operated clamp for material vise
- Pneumatic power down feed with electric controls
- Emergency stop button



CPO 275 PK

MANUAL SAW WITH POWER CLAMP

- Air-operated clamp for material vise
- Operator controlled trigger switch



CPO 275

MANUAL SAW

- Manual clamp for material vise
- Operator controlled trigger switch
- Miter locking device stops 45° left, 90° and 45° right



SPECIFICATIONS

Cutting Speeds (must specify when ordering)

LT (Low Turn) designed for solid mild steel, solid stainless steel & thick wall pipe

LT 30/60 rpm

HT (High Turn) designed for thin wall tube .060 wall thickness or thinner and non-ferrous material

HT 60/120 rpm

SS (Single Speed) designed for 220 1-ph applications

SS 60 rpm

Factory Wired: Specify 208 3-ph, 230 3-ph, 460 3-ph, 575 3-ph 60 Hz, or 220 1-ph (SS Model Only)

Maximum Diameter Blade: 10-3/4" (275 mm) **Arbor Bore:** 1-1/4" (32 mm)

Width: 21-7/8"

Depth: 43-1/2"

Height: (not incl. feed handle) 53-1/4"

Weight: 600 lbs.

Motor Rate: 2 hp

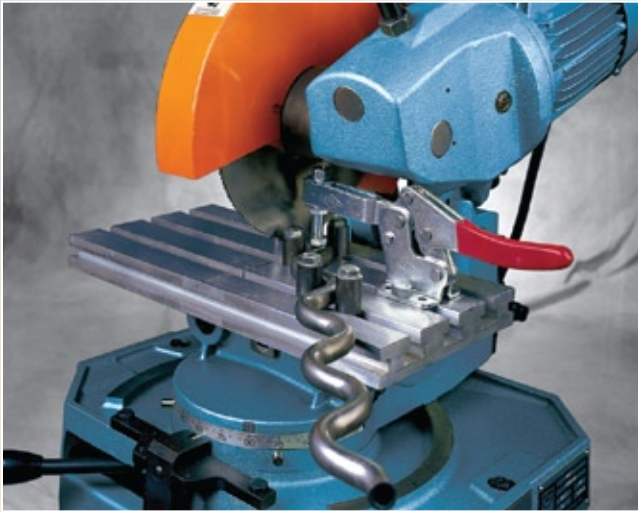
Motor Rate: 1.5 hp

Motor Rate: 2 hp

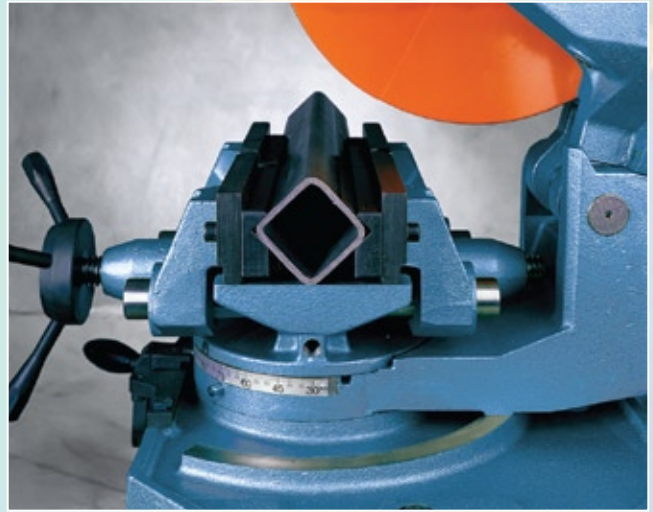
Pin Spacing: 2/8/45

Height: (from floor to vise) 36-1/8"

Cold Saw Options



Special Clamping Fixture

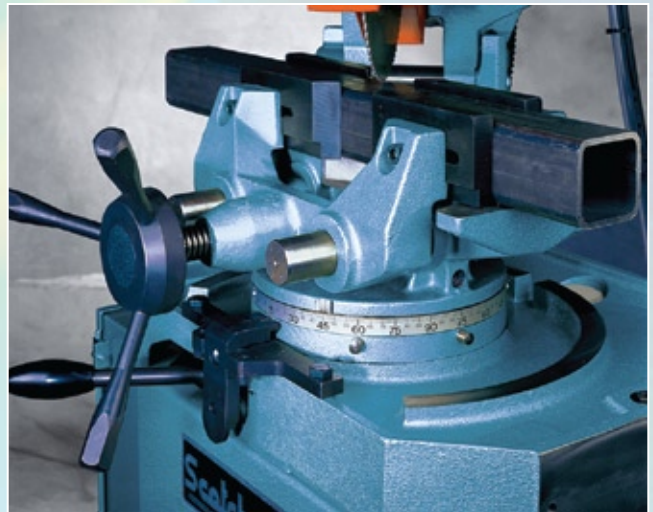


**CPO 275 and 350
Square Tube Jaws**



Variable Speed Control

Recommended for cutting multiple shapes, sizes, and thicknesses. RPM can be fine-tuned to achieve optimum blade speed for each application and increase blade life.



Miter Locking Device

STANDARD FEATURE

(not available for 275 PK or 275 PKPD models)

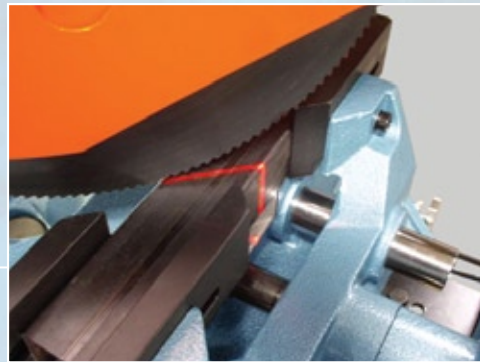
SPECIAL NOTE

For customer using single phase power: the variable speed allows 3-ph machine to operate with 220 volt 1-ph power without loss of power.

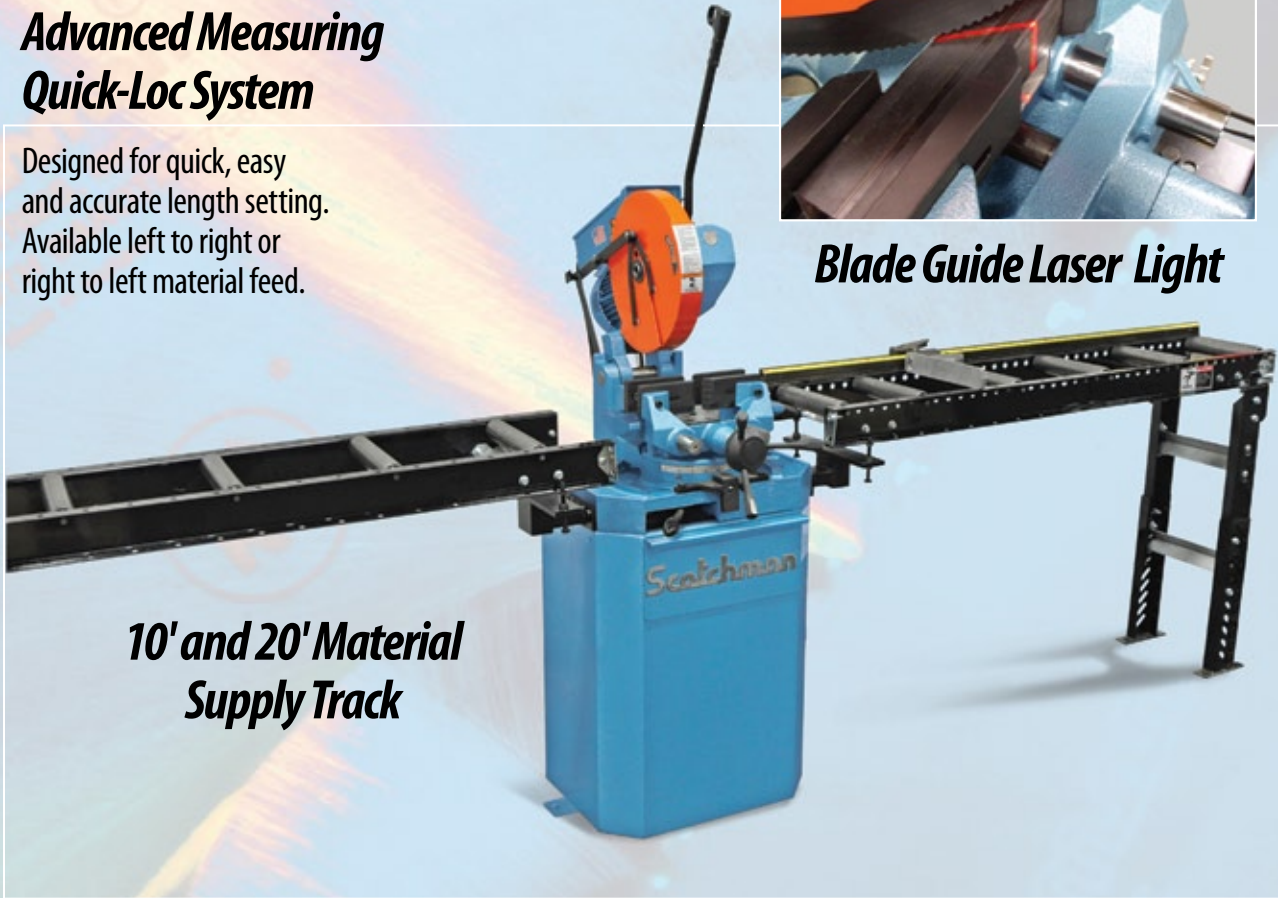


**60" or 120" Material
Stop Roller Conveyor
Mounted with an
Advanced Measuring
Quick-Loc System**

Designed for quick, easy
and accurate length setting.
Available left to right or
right to left material feed.



Blade Guide Laser Light



**10' and 20' Material
Supply Track**



**Right-Hand Quick-Loc
Roller Conveyor with Stop**



**Right-Hand Quick-Loc
with Quick Release Handle
Scale on 1/16" Increments**



Circular Cold Saw Blades • Blade Sharpening



Scotchman offers a fast, high-quality Blade Sharpening Service and will grind blades with special tooth number.

Scotchman has a complete selection of saw blades *in stock for immediate delivery.*

COLD SAWS

**250 mm-10" HSS-DM05
32 mm BORE
2/8/45 & 2/11/63 Pin Spacing**

PART NO.	THICKNESS	TEETH
74300	.080	90
74304	.080	100
74302	.080	120
74306	.080	150
74305	.080	180
74307	.080	240

**275 mm-10-3/4" HSS-DM05
32 mm BORE
2/8/45 & 2/11/63 Pin Spacing**

PART NO.	THICKNESS	TEETH
74360	.080	90
74361	.080	100
74362	.080	120
74363	.080	150
74365	.080	180
74366	.080	220
74367	.080	260

CARBIDE-TIPPED FOR NON-FERROUS MODELS

**Non-Ferrous Standard Cold Saw Blades
40 mm BORE 2/8/55 & 4/12/64 Pin Spacing**

PART NO.	THICKNESS	TEETH
74326	.085	120 Carbide 12" Dia.
74327	.125	72 Carbide 12" Dia.
74329	.125	84 Carbide 13-1/2" Dia.

**275 mm-10-3/4" HSS-DM05
40 mm BORE
2/8/55 & 4/12/64 Pin Spacing**

PART NO.	THICKNESS	TEETH
74309	.100	90
74308	.100	100
74310	.100	120
74311	.100	150
74312	.100	180
74313	.100	220
74314	.100	260

**315 mm-12-1/2" HSS-DM05
40 mm BORE
2/8/55 & 4/12/64 Pin Spacing**

PART NO.	THICKNESS	TEETH
74355	.100	90
74356	.100	100
74357	.100	110
74345	.100	120
74348	.100	150
74350	.100	180
74352	.100	220
74354	.100	280

**350 mm-14" HSS-DM05
40 mm BORE
2/8/55 & 4/12/64 Pin Spacing**

PART NO.	THICKNESS	TEETH
74390	.100	90
74391	.100	100
74392	.100	110
74393	.100	120
74394	.100	150
74395	.100	180
74396	.100	220
74397	.100	280

**POWER 2000 Blades • 315 mm 12-1/2"-DM05
40 mm BORE 2/8/55 & 4/12/64 Pin Spacing**

PART NO.	THICKNESS	TEETH
074372	.070	ALL

Blades are coated for longer blade life.
Maximum wall thickness .100

**PERFORMANCE 3000 Blades • 315 mm 12-1/2"-DM05
40 mm BORE 2/8/55 & 4/12/64 Pin Spacing**

PART NO.	THICKNESS	TEETH
074349	.100	ALL

Blades are coated for longer blade life.