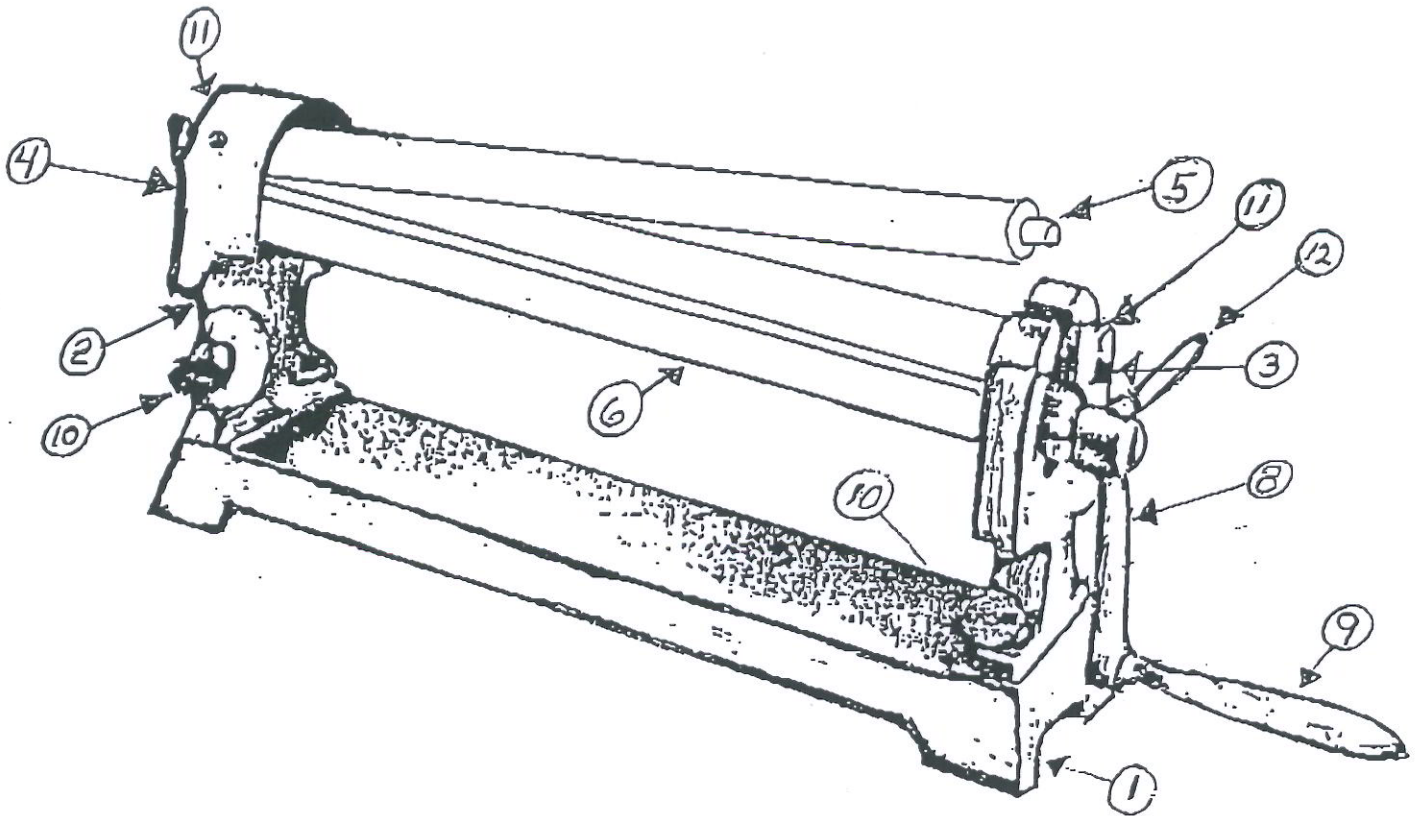


PRECISION ROLLER



SR-12
PR-10A PARTS BREAKDOWN:

1. Base
2. Left Side Support
3. Right Side Support
4. Gear (2)
5. Top Front Roller
6. Bottom Front Roller
7. Rear Roller
8. Arm
9. Handle & Screw
10. Thumbscrew (4)
11. Oilite Bushing (4).
12. Roller Release