

Instructions and Parts List for No.16 No. 17 Bench Punch

CARE: Oil at hinge points, the punch guide hole in the frame, and the punch point is all the care necessary.

OPERATION: To change punches, remove the lever handle (11) and pull lever handle assembly back to release punch from eccentric arm slot. Lift punch from guide hole. Put new punch in guide hole and move eccentric arm forward until punch slot is engaged in eccentric arm, then replace lever handle screw.

TO CHANGE DIES: Loosen die shoe set screw (12). Remove one die shoe bolt (14) and pivot die shoe toward operator. Push up on die. Insert new die and die shoe bolt. Tighten die shoe set screw. Lower punch into die, check clearance and tighten both die shoe bolts.

FOR MAXIMUM OPERATOR SAFETY DO:

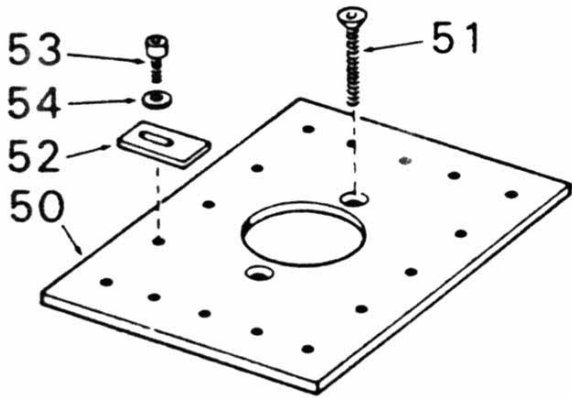
1. Read and understand this manual.
2. Use only No. 16 punches for the No. 16 and No. 17 punches for the No. 17 and No. 20 dies marked with a "W" in a circle or R-W designed for this tool.
3. Be sure you punch within the seven ton capacity for No. 16 or five ton for No. 17. Type and thickness of material versus final hole size will give you this tonnage.
4. Wear safety glasses.

FOR MAXIMUM OPERA FOR SAFETY DO NOT:

1. Use punches and dies that are chipped or dulled.
2. Punch over capacity of the tool.
3. Nibble. Punch a full hole not a half hole as punch may contact die.

When ordering. list Item No., Part No., and Part Name

Item No.	Part No.	Part Name	No. Req'd	Item No.	Part No.	Part Name	No. Req'd
1	731140008	Frame	1	14	601012132	Die Shot- Bolt	2
1	731140001	Frame	1			5/16-18 x7/8 HexHead	
2	731030003	Eccentric Arm	1			Cap Screw	
3	730260058	Roller Retainer	2	15	678033104	Die Shoe Bolt Washer	2
4	600255201	Roller Bearing (34 per set)	1 Set				
5	730240054	Side Link	2			WORK TABLE PARTS	
6	730560055	Side Link Bolt Nut	4	50	731090005	Work Table Plate	1
7	730210057	Eccentric Cam	2	51	605012137	Work Table Set Screw	2
8	731460002	Lever Handle	1			5/16-18 x 1- 1/2 Flat	
9	600255202	Cam Pin	2			Head Cap	
10	730160052	Side Link Bolt	2	52	774420101	Work Table Gauge	3
11	730650053	Lever Handle Screw	1	53	611012086	Work Table Gauge Screw	3
12	621012082	Die Shoe Set Screw 1/4-20 x 1/4 Headless	1			1/4-20 x 1/2 Socket	
		Set Screw		54	678033103	Head Cap	
13	731320004	Die Shoe	1			Work Table Gauge Washer	3
				55	600366507	1/4 Flat Washer	
						Work Table Gauge Wrench	1
						3/16 Hex (Not Shown)	



WORK TABLE PARTS

