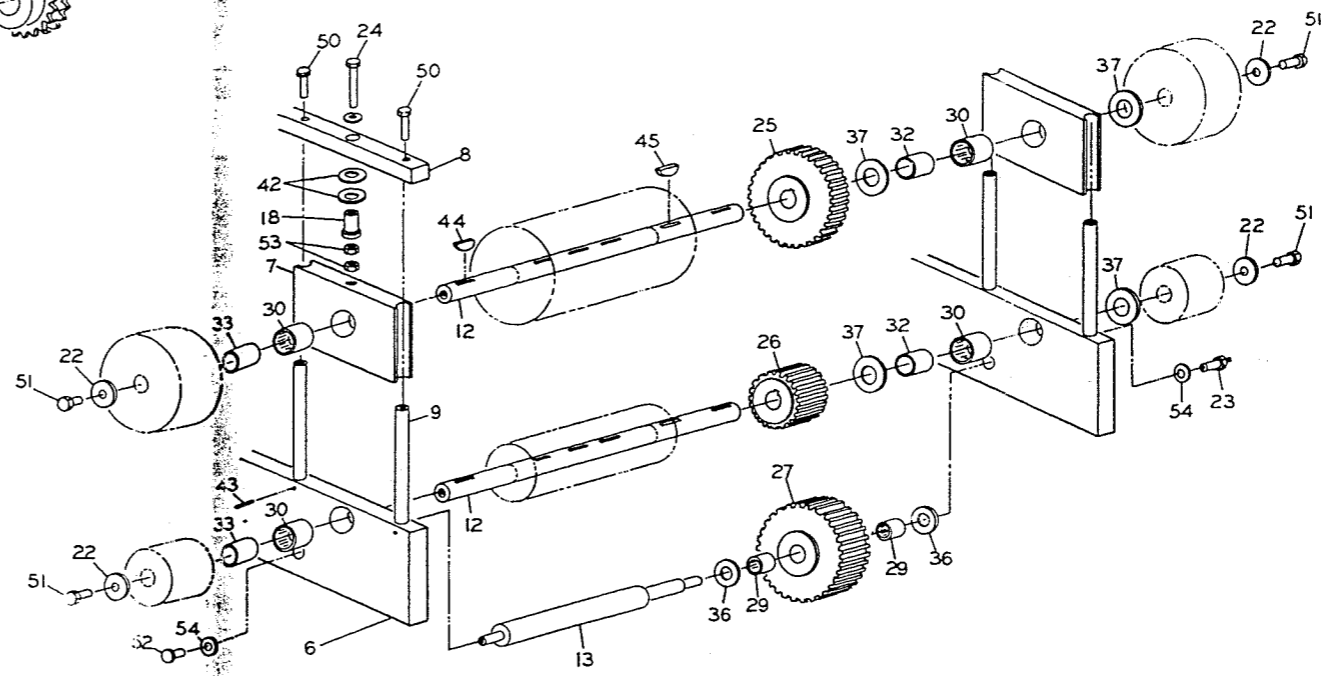
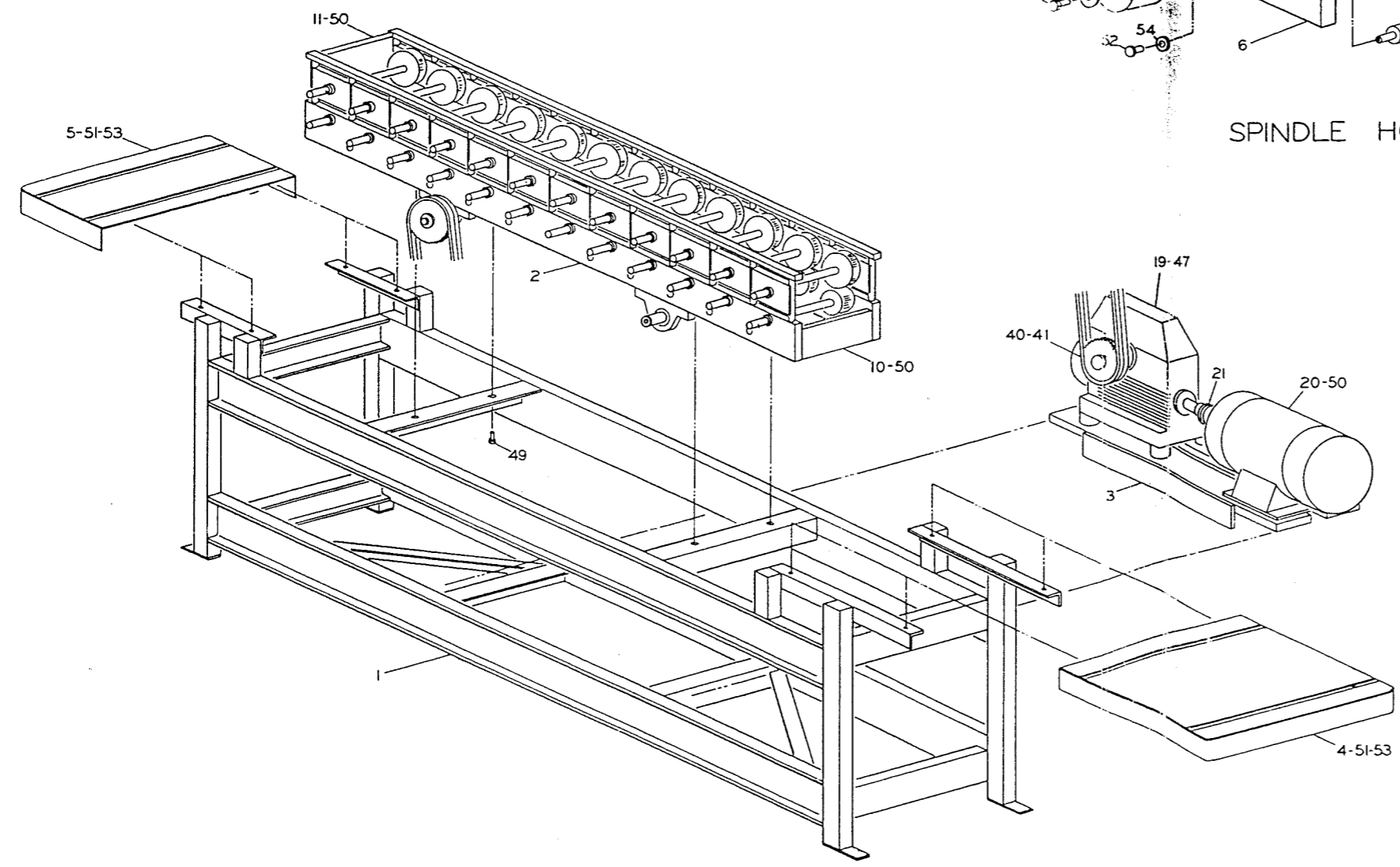


TRANSFER SHAFT ASSEMBLY



SPINDLE HOUSING ASSEMBLY



ENGEL EQUIPMENT
INC.
ST. LOUIS MO. 1240 ROLLFORMER

1240

PARTS LIST 124 ROLLFORMER

ITEM NO.	ENGEL PART NO.	NO. REQ'D	DESCRIPTION
1	4428	1	Frame Weldment
2	4346	1	Spindle Housing Ass'y
3	4188	2	Motor Mtg. Plate Ass'y
4	4111	1	Infeed Table
5	4112	1	Outfeed Table
6	4145	2	Bottom Spindle Housing
7	4144	24	Top Bearing Cage
8	4143	2	Head Rail
9	4167-2	26	Post-Spindle Housing
10	4172	2	Spreader-Bottom Spindle Housing
11	4166	5	Spreader-Head Rail
12	4168	24	Spindle
13	4106	10	Idler Shaft
14	4231	2	Transfer Shaft
15	4146	4	Bearing Cage-Transfer Shaft
16	4224-1	2	Spacer-Transfer Shaft
17	4224-2	1	Spacer-Replaces Transfer Sprocket
18	4234	24	Spool Adjusting
19	501268-6	1	Reducer Hypower U40-U50
20		1	Motor 7-1/2 & 10 HP
21		1	Flexible Coupling Lovejoy Type L
22	4219	52	End Cap Washer
23	4165	10	Grease Bolt
24		24	Adjusting Bolt 3/8-24 x 3" Lg.
25	4165-2	12	Gear-Upper Spindle
26	4155-1	12	Gear-Bottom Spindle
27	4156-1	10	Gear-Idler

ITEM NO.	ENGEL PART NO.	NO. REQ'D	DESCRIPTION
28	4155-2	2	Gear Transfer
29	511087-1	20	Bearings Needle B-1412
30	511018	48	Bearings Needle B-2016
31		4	Bearings Needle H-S283716
32	511019-1	24	Inner Race IR 1616
33	511076	24	Inner Race IR 162020
34	511027	2	Inner Race IR 242816
35	511025	2	Inner Race IR 242820
36	511062	20	Thrust Bearing Bronze TW87
37	511064	48	Thrust Bearing Bronze TW102
38	511065	4	Thrust Bearing Bronze TW150
39	514203	2	Sprocket Roller Chain D60B17
40	514229	2	Sprocket Roller Chain D60B25
41	563053	2	Chain D60
42	571033	48	Disc Springs Z12
43	500019	26	Spring Pins 3/16 x 1
44		120	Woodruff Key 1/4 x 1
45		24	Woodruff Key 3/8 x 1-5/8
46		5	Square Key 3/8 x 1-5/8
47		4	Socket Head 3/4 x 10 x 2-3/4 or 3-1/2
48		8	Socket Head 1/2-20 x 1-1/2
49		4	Hex Head Bolt 1/2-20 x 1" Lg.
50		48	Hex Head Bolt 3/8-24 x 1-1/4" Lg.
51		56	Hex Head Bolt 3/8-24 x 1" Lg.
52		14	Hex Head Bolt 3/8-24 x 3/4 Lg.
53		56	3/8-24 Hex Nuts
54	572104	20	Washer CL-1-FW Carr Lane