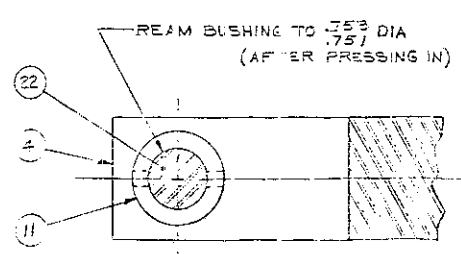
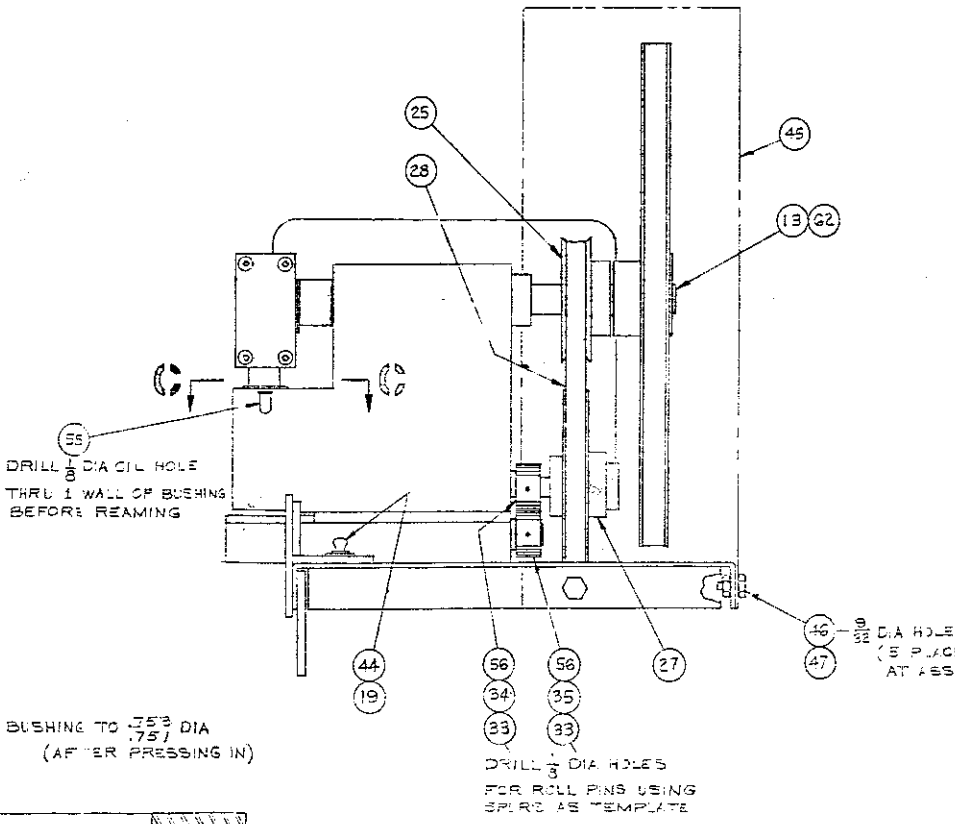
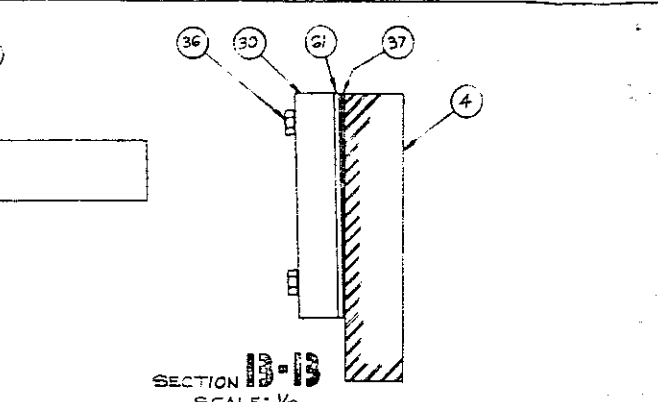
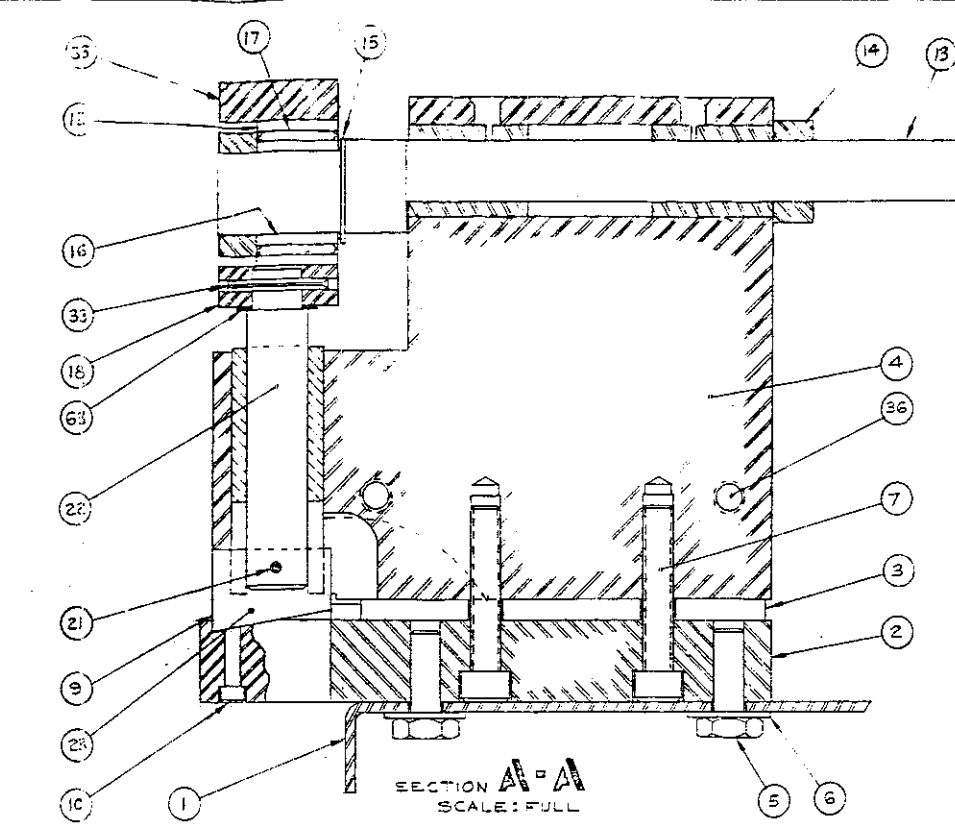
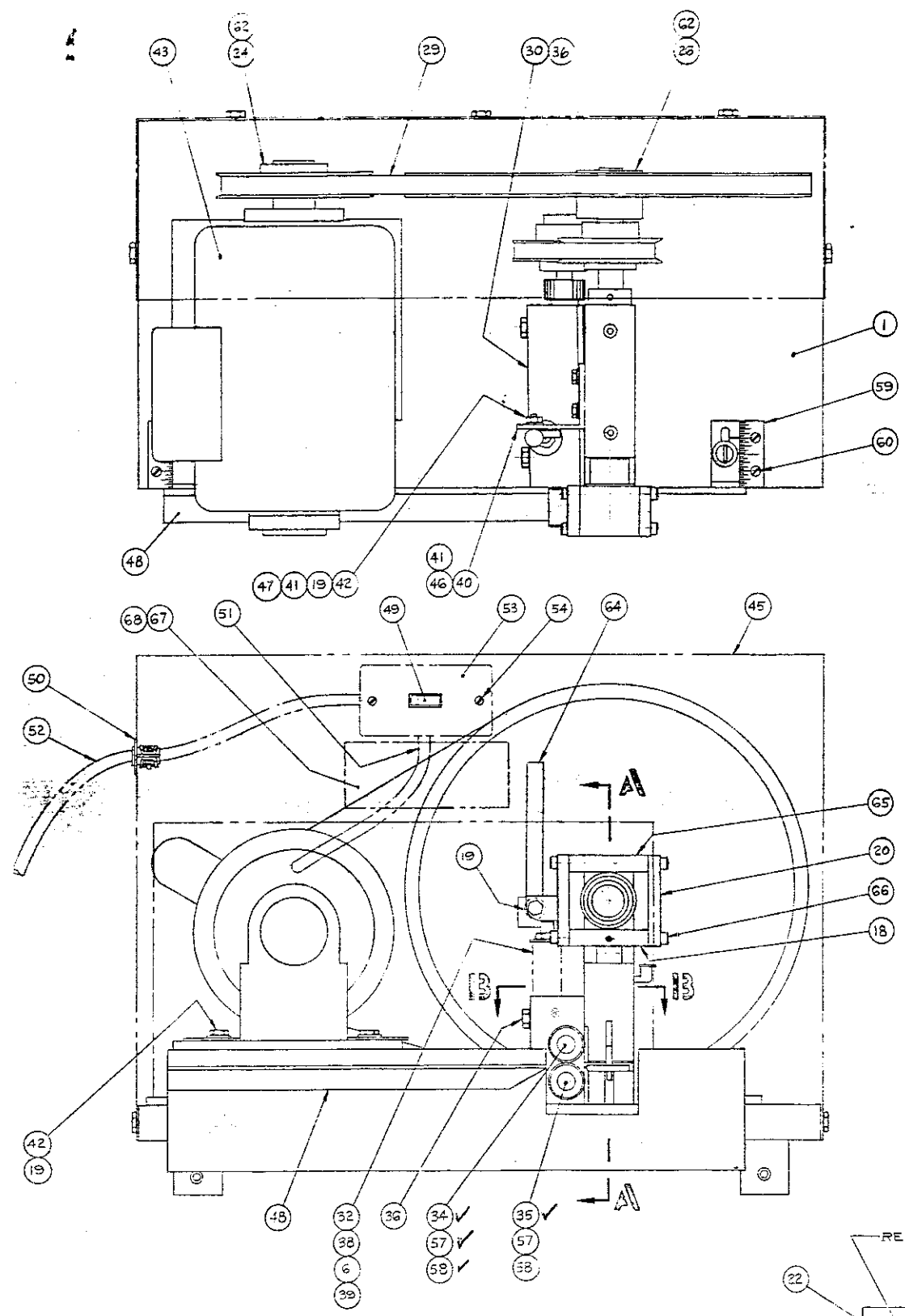


511216



66	8	X	SOCKET HD CAP SCREW, 1/4-20 X 3/4 LG.
65	1	X	A-1063759 ECCENTRIC TOP PLATE
64	1	X	A-106389 PRESSURE ARM
63	1	X	FLAT WASHER, 3/8 I.D. X 1/2 THICK
62	1	X	KEY, 3/16 X 3/16 X 1/2 LG.
61	1	X	B-1063734 SPACER PLATE (GUIDE BLOCK)
60	4	X	SELF-TAPPING SCREW, #10, X 3/8 LG.
59	2	X	B-1063736 SCALE
58	2	X	ROLL PIN, 3/16 DIA X 1" LG.
57	2	X	A-1065509 FEED ROLL
56	2	X	A-2762 SPUR GEAR, #750 1/2 I.D. X 1/4 O.D. X 3/4 LG.
55	1	X	OIL FITTING, GETS #1201
54	2	X	ROUND HD. MACH. SCREW, #8-32 X 1/2 LG.
53	1	X	SWITCH BOX, APPLETON, #58371 V2
52	1	X	FLEXCORD, #16-3 10' LG.
51	1	X	FLEXCORD, #16-3 24' LG.
50	1	X	CORD GRIP, HUBBELL #112
49	1	X	TOGGLE SWITCH, HUBBELL #1222
48	1	X	B-1063737 FEED & GAUGE ASSY.
47	6	X	HEX NUT, 1/4-20
46	6	X	HEX HD. MACH. SCREW, 1/4-20 X 1/2 LG.
45	1	X	C-1063729 GUARD WELDMENT
44	2	X	THUMB SCREW, 1/4-20 X 1/2 LG.
43	1	X	ELECTRIC MOTOR, DAYTON MODEL 6K32L
42	4	X	HEX HD. MACH. SCREW, 1/4-20 X 3/4 LG.
41	2	X	LOCK WASHER, SPLIT TYPE, 1/4
40	1	X	A-10690 RELEASE ARM BRACKET
39	1	X	HEX NUT, 3/8
38	1	X	SQUARE WIRE SPRING, DANLY, #1608-21
37	1	X	B-1063733 SHIM WELDMENT
36	2	X	HEX HD. MACH. SCREW, 3/8-16 X 2 1/2 LG.
35	1	X	A-1063744 DRIVE ROLL SHAFT, LOWER
34	1	X	A-1063743 DRIVE ROLL SHAFT, UPPER
33	3	X	ROLL PIN, 1/8 X 1 1/4 LG.
32	1	X	A-1715 SPRING STUD
31			
30	1	X	C-1063726 DRIVE ROLL BEARING BLOCK
29	1	X	BELT, BROWNING, 4L 450
28	1	X	BELT, BROWNING, 4L 220
27	1	X	512060 PULLEY, BROWNING, 1VL 34, 1/2 BORE
26	1	X	PULLEY, BROWNING, AK124 3/4 BORE
25	1	X	PULLEY, BROWNING, 1VL 34, 3/4 BORE
24	1	X	PULLEY, BROWNING, 1VP50, 5/8 BORE
23	1	X	A-1065440 PUNCH DIE (MALE)
22	1	X	B-1063739 PUNCH HOLDER
21	2	X	ROLL PIN, 1/8 X 3/4 LG.
20	2	X	A-1063738 ECCENTRIC SIDE PLATE
19	1	X	FLAT WASHER, 1/4
18	1	X	A-1063741 ECCENTRIC BOTTOM PLATE
17	1	X	NEEDLE BEARING, TORRINGTON, B-201G
16	1	X	INNER RACE, TORRINGTON, IR-1G1G
15	1	X	FLAT WASHER, 1" I.D.
14	1	X	SET COLLAR, 3/4 BORE
13	1	X	B-1063740 ECCENTRIC SHAFT
12	1	X	INNER RACE, TORRINGTON, IR-241G
11			
10	3	X	SOCKET HD CAP SCREW, #10-32 X 1" LG.
9	1	X	A-1063433 DIE PLATE (FEMALE)
8			
7	2	X	SOCKET HD CAP SCREW, 3/8-16 X 2" LG.
6	3	X	FLAT WASHER, 3/8
5	2	X	HEX HD. MACH. SCREW, 3/8-16 X 1" LG.
4	1	X	B-1063506 PUNCH GUIDE BLOCK
3	1	X	B-1063735 SPACER PLATE (DRIVE ROLL BLOCK)
2	1	X	B-1063742 DIE SUPPORT
1	1	X	C-1063525 BASE WELDMENT

REV	REQ	SYMBOL	APPROV	DESCRIPTION	DATE	BY	CHKD	DATE	DESCRIPTION
68	4	X		METALLIC DRIVE SCREW, NO. 2					
67	1	X		ENGEL NAME PLATE					

ENGEL INDUSTRIES INC		ELLISVILLE MO.		DATE: 4-72	SCALE: 1/2	FINAL ASSEMBLY	1250 EDGE NOTCHER, HEAVY DUTY
CHECKED	ASBY	DATE	DRG NO.	D-1063725			